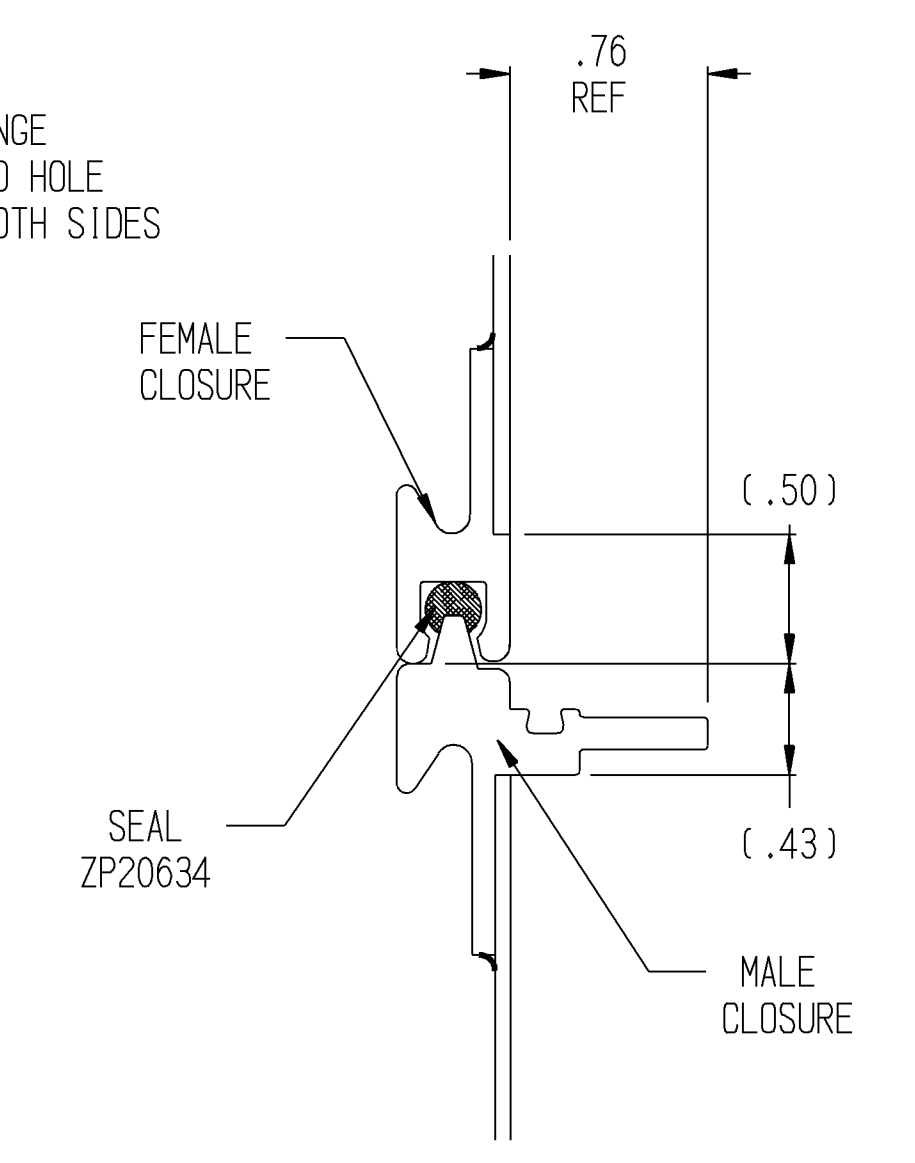
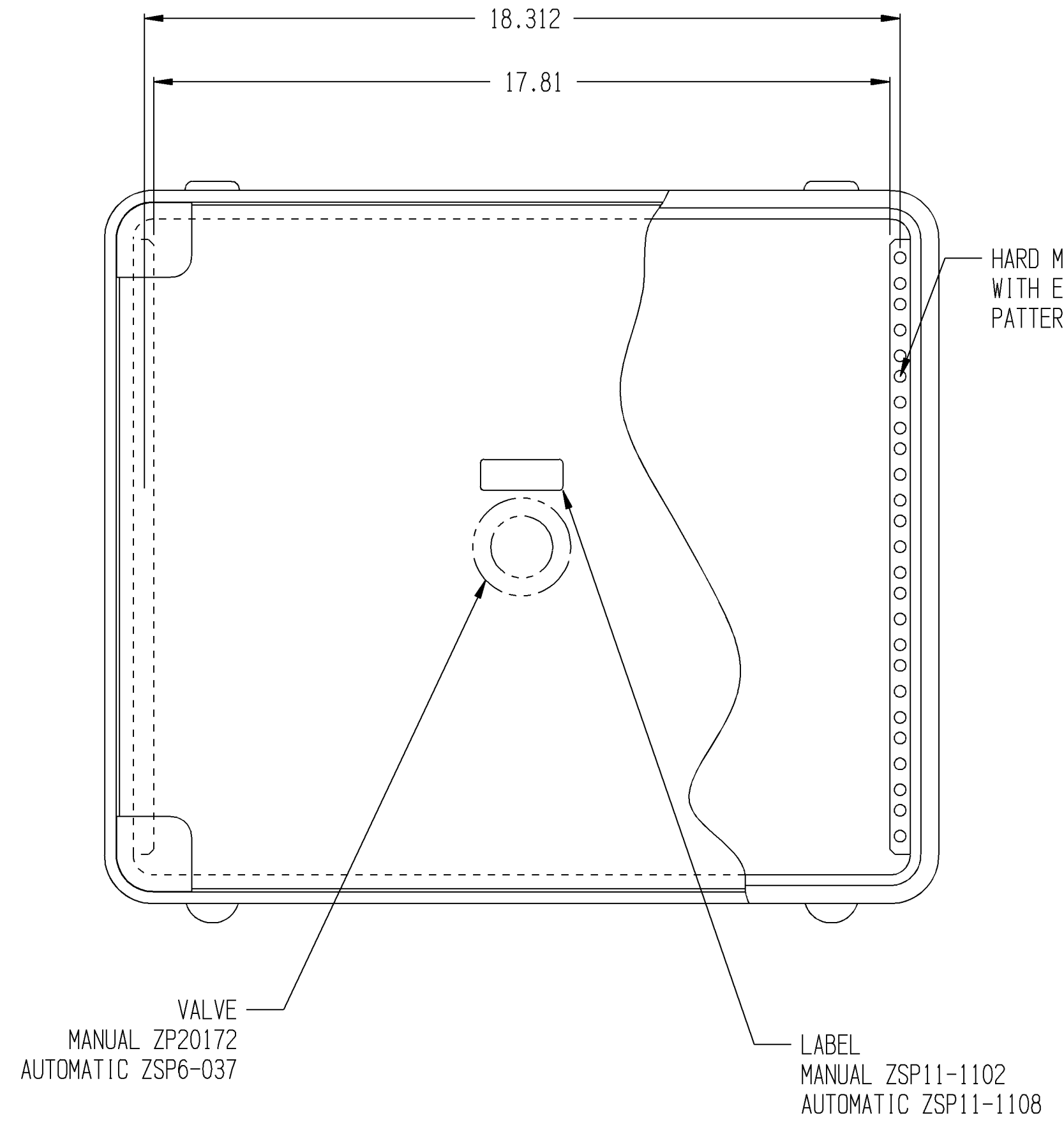
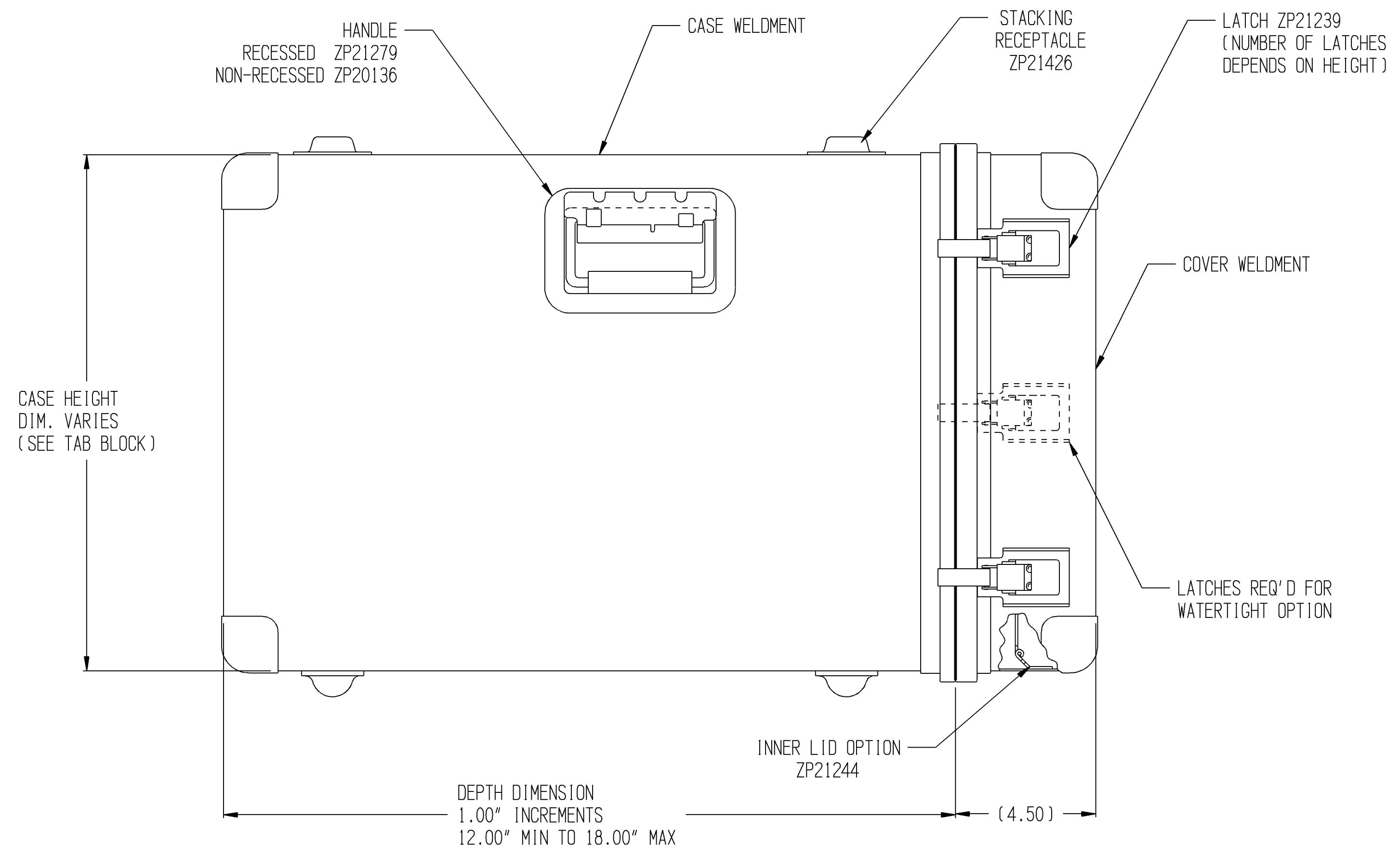
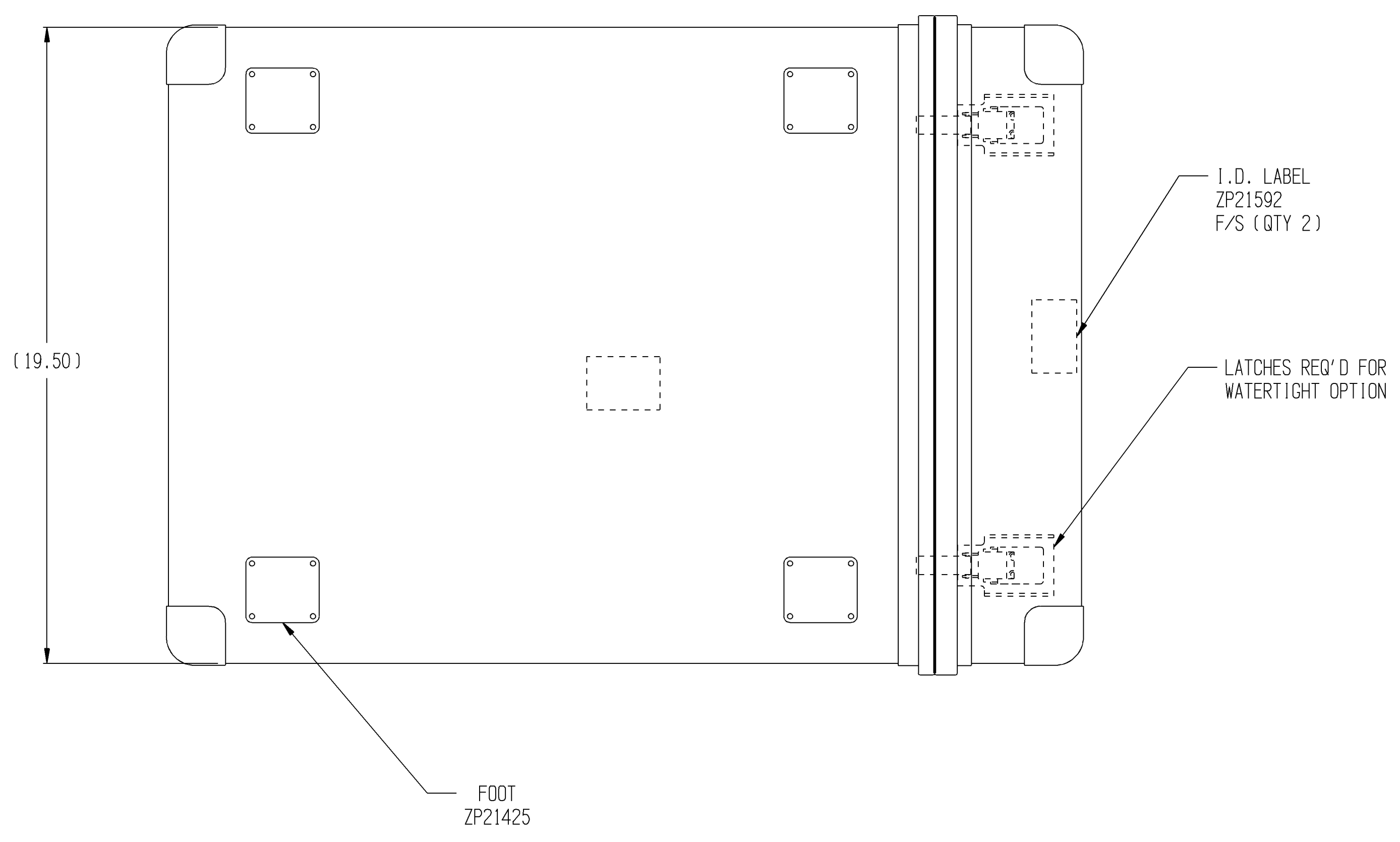


REVISIONS				
ZONE	REV	DESCRIPTION	DATE	APPROVED



CLOSURE DETAIL



NOTES:

TABULATION BLOCK			
PANEL HEIGHT			
DASH NO.	DIM	REF.	CASE HT.
-	SPECIAL SIZE		
-5	5.25	(3U)	6.12
-7	7.00	(4U)	7.87
-8	8.75	(5U)	9.62
-10	10.50	(6U)	11.37
-14	14.00	(8U)	14.87
-17	17.50	(10U)	18.37
-21	21.00	(12U)	21.87
-24	24.50	(14U)	25.37
-28	28.00	(16U)	28.87

This document and the drawings and the technical data contained hereon are the property of Zero Mfg. Inc., formerly APW Zero Cases, Zero Enclosures, and Zero Mfg. Co. Reproduction or dissemination in any form except as expressly authorized by the owner is forbidden. The holder agrees to return this document to the owner on demand.
Copyright by Zero Mfg. Inc.

UNLESS OTHERWISE SPECIFIED DIMENSIONS ARE IN INCHES
TOLERANCES ARE:
FRACTIONS DECIMALS ANGLES
± 1/32 .XX ±.03 ± 1/2°
DO NOT SCALE DRAWING

ZERO ZERO MANUFACTURING, INC.
North Salt Lake, UT 84054

CASE ASSEMBLY
VAL-AN SERIES 900

SIZE CAGE NO. D 98376 DWG. NO. 900

SCALE 1:3 SHEET 1 OF 1

DWG. NO. 900
SH 1 REV.